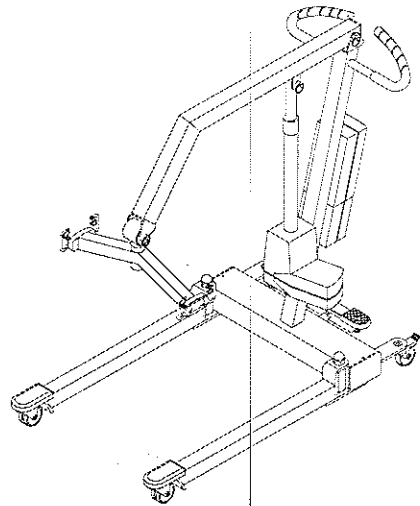




Huntleigh
HEALTHCARE
Moving & Handling
Products Division



THE HUNTLEIGH PORTA™ HOIST

MODELS

130, 155, & 180

Contents

| | |
|------------------------------|----|
| Intended use..... | 3 |
| Assembly Instructions..... | 3 |
| Operating Procedure..... | 5 |
| Care of the Porta Hoist..... | 11 |
| Maintenance..... | 12 |
| Technical Data..... | 16 |
| ○ Warranty and Service..... | 18 |

Huntleigh Healthcare promotes safe Moving and Handling practices and recommends that the Porta hoist should only be used by a competent person who has read and fully understands the User Guide

1. Intended use

The Huntleigh Porta™ 130/155/180 wheeled hoist is an aid to assist the carer(s) in moving and handling clients safely and efficiently.

2. Assembly Instructions

Seek assistance if unpacking is difficult.

When unpacking the hoist, depending on model selected, please ensure that the following components are present:

Base

Mast and Jib Assembly complete with actuator or hydraulic pump.

Turn Knob

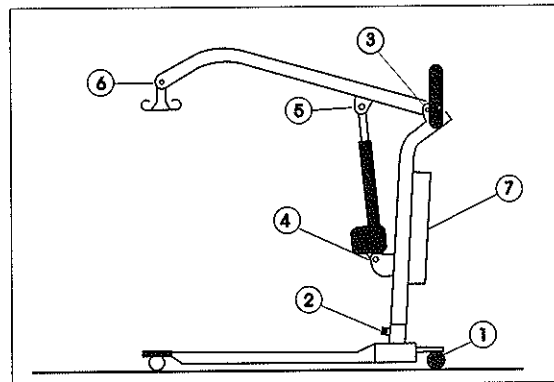
Control Box (Electric version only - fitted to mast)

Handset (Electric version only)

Battery Pack (Electric version only)

Charger (Electric version only)

User Manual



Refer to above Diagram when applying assembly instructions on next page.

Paragraph numbers refer to numbered parts listed on diagram on previous page.

- 1 Apply brakes on castors at rear base (see page 3).
- 2 Push the mast firmly into the socket on the base until fully inserted. Fit Turn knob and tighten.
- 3 Remove keyring from pin at the top of the mast and remove pin. Using assistance, fit the jib (square end) into the bracket at the top of the mast and refit the pin through both the mast and jib. Refit the keyring.
- 4 Remove keyring from pin in lower bracket on the mast and remove pin. Replace the pin through the motor end of the actuator and the bracket with the pin and nylon washers provided. Refit the keyring.
- 5 Remove keyring from pin in jib centre bracket and remove pin and nylon washers. With assistance raise the jib by hand and fit the top end of the actuator or pump between the bracket. Refit the pin through the bracket and actuator/pump, fitting two nylon washers each side between the actuator/pump and bracket. Refit the keyring.
- 6 Remove keyring from pin at the end of the mast and remove pin. Fit sling spreader bar with flat on top swivel towards the mast between bracket. Refit pin and keyring.
- 7 If electric version - attach a charged battery pack to the top of control box. Plug in the handset and actuator to the matching sockets on the control box. Ensure plugs are firmly pushed in the Control Box.

BEFORE USE CONFIRM ALL KEYRINGS ARE FITTED

Before use, ensure that the pump is primed. Refer to priming instructions in **Section 5 - Maintenance** (*Hydraulic version only*).

Release the brakes on the castors.

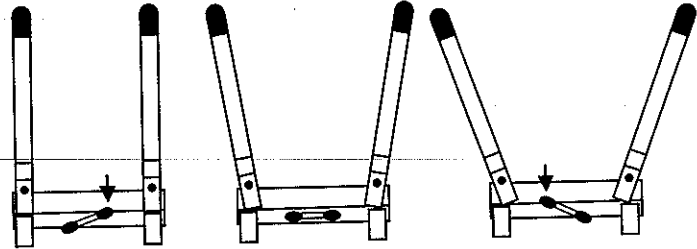
It is important that the carer using the hoist is familiar with the hoist's controls before use.

The hoist is ready to use.

3. Operating Procedure

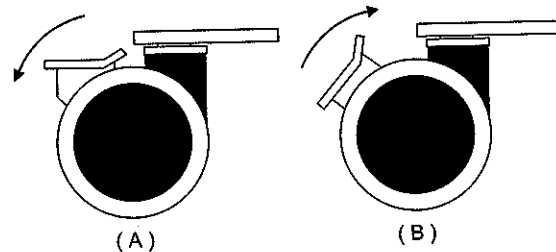
Leg Adjustment

There is a choice of four settings: standard, two intermediate, or wide. To operate, place your foot on the right hand side of the foot pedal and gently push down to open the legs. Remove the pressure when the correct setting is reached. Once the selection has been made, the spring-loaded pin will lock in position. To close the legs, place your foot on the left-hand side of the foot pedal and apply pressure: the legs will close and lock in position.



Braking

The two braking castors fitted to the rear of the hoist are operated by the foot. Push down (see A) to lock, strike (see B) to release.



Raising and lowering - Electric Version

The handset has two low-pressure buttons, one to raise and one to lower. By pressing the right hand button, the hoist will lower: by pressing the left-hand button, the hoist will raise. When the buttons are released, the hoist will instantly stop in position. Avoid unnecessary raising and lowering, to prolong battery life.

Emergency Lowering

If the hoist should not lower due to an electrical fault in the handset it can be lowered by pushing a pen tip into the small aperture marked 'EMERGENCY' on the control box.

Emergency Stop button (optional)

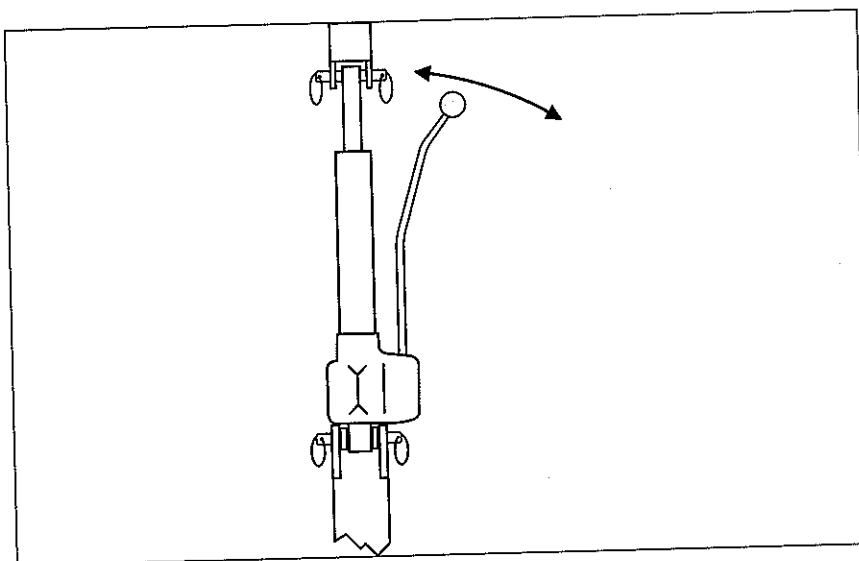
To operate emergency stop, press the red button on the control box and all the electrical system is isolated. To re-energise, twist the red button and it will be released to the 'ON' position.

Lift Limiting Capacity (optional)

On some models the lift is limited, this device built into the electronic circuit will cut off the electric's if the weight being lifted exceeds the SWL by 50%. When the weight is reduced the hoist will resume to work as normal.

Raising and Lowering - Hydraulic Version

Swivel the pump handle into a suitable position for operation. To raise the jib pull the handle away from the body of the pump, push towards the pump body to return the stroke and repeat until desired height is reached. To release, push the pump handle hard against the body of the pump. To stop lowering release the pressure on the handle.



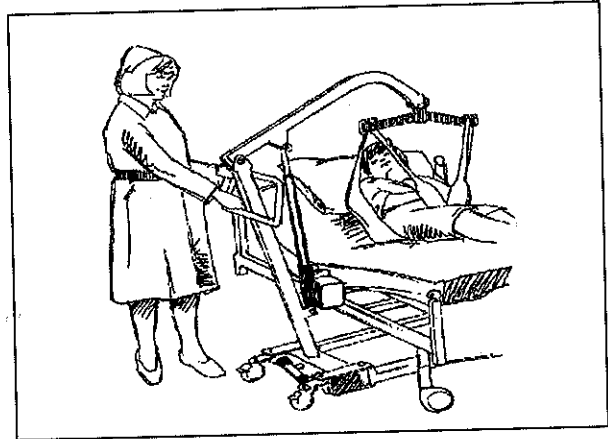
It is recommended that the hoist should not be used with the brakes applied when lowering or lifting a patient.

Lifting from a bed

- Roll the patient onto the sling, using the same technique as for a draw sheet.
- Manoeuvre the hoist under the bed.
- Lower the jib sufficiently to secure the sling to the hoist and attach all straps of the sling to the spreader bar.
- Lift the patient slightly off the bed and ensure that the sling is not causing discomfort. If so, return the patient to the bed and reposition the sling. Once satisfied with the position, begin lifting again.
- When the patient is sufficiently clear of the bed, pull the hoist away slowly.

To place a patient on a bed, simply reverse the process:

- Push the hoist under the bed and ensure that the patient is correctly aligned over the bed.
- Gently lower the patient.
- Make sure that the patient is correctly positioned at all times during descent.



The hoist should not be used on inclines greater than 5

4. Care of the Porta Hoist

Cleaning

Always wash hands before and after cleaning the equipment. Gloves and apron are recommended when equipment being handled is known, or suspected, of being infected.

Infected equipment must be considered on an individual basis, depending on the type of infection present. Such equipment should be disinfected prior to re-use for another patient.

If the product was used in a known, or suspected, infectious environment, the Disinfection Procedure must be followed after the cleaning procedure. Refer to the Huntleigh Infection Control booklet, which is available on request.

For routine cleaning, use detergent and warm water applied with a clean cloth. Dry with paper towels.

Slings

See label on sling or Sling User Guide - available from Huntleigh Healthcare on request.

Care of the Batteries

To achieve maximum performance and to maintain battery life, please plan daily recharging of the battery pack (e.g. overnight). This will not damage the battery or charger in any way.

WARNING

Never dispose of the battery pack in fire as this may cause it to explode. If in doubt, contact Huntleigh Healthcare.

Slings for Hoists

For comfortable and safe lifting by hoist, the choice of correct sling is essential. Huntleigh Healthcare offers the popular range of Porta slings suited to most users. In cases of specific needs, Huntleigh Healthcare is pleased to quote for individual specifications. Slings should be checked before each use for tears in the fabric, frayed webbing and broken stitching.

Spreader Bar

Check for damage to the moulding around the spreader bar. Clean with vinyl cleaner. Check that the spreader bar can rotate freely through 360°.

User Spare Parts List

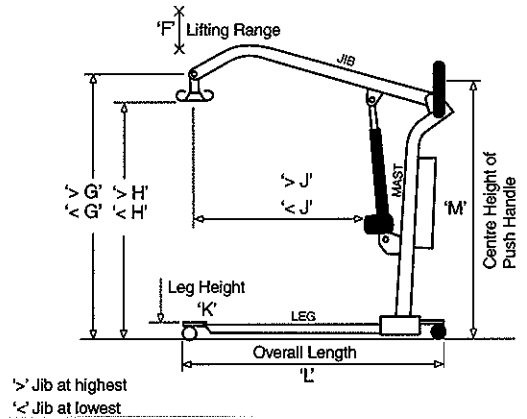
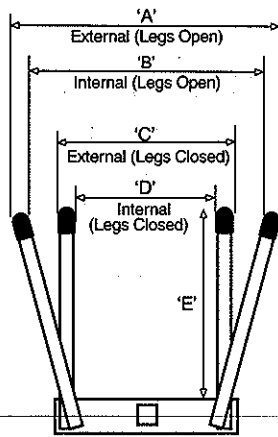
| | | |
|---|----------------------|------------|
| 1 | Pump | L6J/04/PP3 |
| 2 | Actuator | L0751-3000 |
| 3 | Handset | L0751-3020 |
| 4 | Charger | L0751-3030 |
| 5 | User Manual | 800-090 |
| 6 | Control Box | L9704-0040 |
| 7 | Deluxe Control Box | L9704-0042 |
| 8 | Deluxe Charger Cable | L9704-0045 |
| 9 | Battery Pack | L9704-0041 |

Also available as an optional extra with this hoist is the Huntleigh Porta Weigh Scale - Product Code L6J/01/200. Contact Huntleigh Nesbit Evans for details.

TROUBLE SHOOTING

| Symptom | Possible Cause | Remedy |
|----------------------------------------------|-------------------------------------------------|------------------------------------------------|
| Actuator lacks power | Batteries low | Charge hoist |
| | Poor motor | Call Service Engineer |
| Actuator stops intermittently during raising | Motor pulling too much current from batteries | Charge hoist |
| | Lifting load too heavy | Reduce load (check Safe Working Load of hoist) |
| | Motor overheating | Allow actuator to cool (30 mins) & try again |
| | Gears/bearings/motor worn or damaged | Call Service Engineer |
| Actuator new but emits noise | Grease unevenly distributed (not run in) | Cycle actuator on no load & on light load |
| | Poor motor | Call Service Engineer |
| Actuator works but hoist does not lift | Gears damaged | Call Service Engineer |
| Nothing happens when handset button pressed | Fuse blown | Call Service Engineer |
| | Handset or actuator not plugged in | Plug in correctly |
| | Loose connection in handset | Change handset |
| | Emergency stop button (if fitted) is pressed in | Release emergency stop button |
| Hoist will not charge | Batteries below minimum voltage – discharged | Call Service Engineer |
| | Power not switched on | Turn power on |
| | Fault on battery charger | Call Service Engineer |
| Actuator only runs in one direction | Failure of controller | Call Service Engineer |

Specifications



| | Porta 130 | Porta 155 | Porta 180 |
|--------------------------------------------|---------------------|----------------------|----------------------|
| SWL | 130 kg | 155 kg | 180 kg |
| Chassis Weight | 21 kg | 23 kg | 26 kg |
| Mast / Jib Assembly | 19kg | 25 kg | 24 kg |
| Finish | Nylon/Epoxy | Nylon/Epoxy | Nylon/Epoxy |
| A | 995 | 1090 | 1200 |
| B | 885 | 980 | 1090 |
| C | 585 | 585 | 600 |
| D | 475 | 475 | 490 |
| E | 755 | 900 | 960 |
| F | 1340 | 1180 | 1220 |
| >G | 1725 | 1825 | 1850 |
| <G | 385 | 645 | 630 |
| >H | 1565 | 1665 | 1690 |
| <H | 225 | 485 | 470 |
| >J | 200 | 500 | 400 |
| <J | 270 | 700 | 450 |
| K | 115 | 115 | 115 |
| L | 1000 | 1170 | 1220 |
| M | 1000 | 1100 | 1050 |
| Front Castors | 75mm Twin | 100mm Twin | 100mm Twin |
| Rear Castors | 75mm Twin Braked | 100mm Twin Braked | 100mm Twin Braked |
| Time to Charge 80% | 8-10 hrs | 8-10 hrs | 8-10 hrs |
| Power Consumption | 16W | 16W | 16W |
| No of lifts when fully charged at max load | 40 | 38 | 28 |