

**Our Vision – Your Comfort and Safety**



# **RAISA      Operating Instructions**



**CE**

Serial No. ....

**HORCHER GmbH**

Dear Customer,

Thank you for choosing the RAISA Standing Aid.

Please take the time to read this manual carefully and to familiarise yourself with its contents before using the RAISA for the first time. If anything is unclear or if you require further information please contact your authorized supplier *before using it*.

## **EC Declaration of Conformity**

in compliance with Annex VII of Council Directive 93/42/EEG of the 14<sup>th</sup> of June 1993 relating to medical devices

Horcher GmbH of Philipp-Reis-Str.3, 61130 Nidderau, declare that the

### **'RAISA' Standing Aid**

Serial Number: .....

is in compliance with the essential requirements of Council Directives 93/42/EEG of 14 June 1993 Annex I.

Nidderau, 04/06/1998

Stefan Horcher  
Horcher GmbH  
Managing Director

### **Important Safety Instructions**

*Please pay careful attention to these instructions and follow them at all times.*

The RAISA should only be used on hard, even and clean surfaces.

Before using the RAISA carry out a visual check. Do not use it if you notice any kind of defect.

Do not use strong detergents to clean the RAISA. A damp, clean cloth should suffice.

Before lifting and lowering please check that the castors are in the locked position.

Before lifting or lowering check the sling for any wear and tear. Never try to repair the sling. Even if no wear is noticed we recommend that the sling is replaced at least every twelve months. Under no circumstances should the user sit on the sling whilst being lifted.

Before using the RAISA please make sure that all hooks or loops are attached and secure and that the sling straps are of the same length.

The RAISA is not designed as a means of transport over long distances for which a wheelchair or similar product should be used.

The wall mounted charger should not be installed in damp areas or close to water supplies e.g. taps.

Avoid sudden/jerky movements as they might cause an accident.

Only persons authorized by Horcher GmbH should carry out repairs to the RAISA and we strongly recommend that a service is carried out every six months.

*Ignoring any of the safety instructions or improper use of the RAISA could result in personal injury and will void any warranties and guarantees.*

## **Table of Contents**

- 1) Where can the RAISA be used?**
- 2) Who should use the RAISA?**
- 3) Operating Instructions**
  - 3.1) General**
  - 3.2) Before raising the user**
  - 3.3) Adjusting the knee pads**
  - 3.4) Raising the user**
- 4) Intelligent Battery Systems**
- 5) Battery charger**
- 6) Warranty**
- 7) Servicing the RAISA**
- 8) Technical information**

### **1) Where can the RAISA be used?**

Horcher GmbH has been designing and manufacturing hoists since 1986 and we take pride that the RAISA is used by individuals, families and professionals in private residences, hospitals, nursing homes and a variety of other settings throughout Europe and North America.

The RAISA has been specifically designed to help people with weakened leg musculature who are not able to stand up and move around without the help of others. In hospitals or nursing homes this should be done with the assistance of a physiotherapist or nursing staff.

## 2) Who should use the RAISA?

Only persons who are capable of understanding that they are being lifted and cooperating during the lifting process should use the RAISA.

Only persons with enough muscle strength to bear some of their weight should use the RAISA. They should also have enough strength in their arms and shoulders to keep the sling in place.

## 3) Operating Instructions

### 3.1) General

The RAISA hoist is delivered fully assembled and with the batteries already charged. To make it ready for use, simply place the battery pack into the console at the back of the mast and pull out the big red knob at the bottom of the console. This red knob is also the emergency ON/OFF button. If pushed in, the electric circuit is interrupted and the hoist stops immediately. Pulling the button out starts the hoist again.



### **3.2) Before raising the user**

Before using the RAISA make sure that the path you are about to take is clear of all obstacles and explain the lifting procedure to the patient.

Drive the RAISA up to the patient, spreading the base legs as necessary. The legs are spread by adjusting the lever fitted to the base to one of three positions:-

Lever on the left = parallel base legs

Lever in the middle = base half open

Lever on the right = base opened wide

Place the patient's feet on the footboard and lock the castors when the patient's knees are touching the knee pads. Please make sure that the top of the knee pads are at the same height as the patient's knees (see 'Adjusting the knee pads' below) before the sling is placed around the patient's back and the sling straps attached to the RAISA lifting bar. Make sure that all loops or clips are attached and that all straps are of the same length.

### **3.3) Adjusting the knee pads**

Depending on the model that you have chosen, the knee pads can be adjusted either electronically or mechanically.

If the hand controls of your RAISA has four control buttons, the knee pads are adjusted electronically. To raise the knee pads press the arrow which points upwards. To lower the knee pads press the arrow which points downwards.

If the hand controls of your RAISA have two buttons, the knee pads are adjusted mechanically. Two knobs are fitted to the mast near the foot plate. These knobs are screwed onto each end of a 'through bolt'. Holding one knob firmly, loosen and remove the other knob. Lift or lower the mast to adjust the pads to the desired height and secure by screwing the knob back onto the 'through bolt'.

### **3.4) Raising the user**

To raise the patient press the button on the hand controls which depicts a person standing in front of a wheelchair. To lower the patient, press the button on the hands controls which depicts a person seated in a wheelchair.

After raising the patient remember to release the brakes on the castors before transferring to the desired chair, bed etc

#### 4) Intelligent Battery Systems

Your RAISA uses Intelligent Battery Systems (IBS) which, unlike other battery systems, will not discharge itself if left idle for a period of time.

The IBS automatically

- checks the output of the energy being used
- goes into a sleep mode if the battery has not been used for three minutes
- alerts the user when the battery is low via an intermittent tone
- if the intermittent tone is ignored by the user it is replaced by a continuous tone
- shuts the battery off to prevent damage being caused if the alert tones continue to be ignored

The batteries will be charged before delivery and have a 2.7 Ah capacity. Under normal circumstances the batteries should be able to lift a person weighing 160kg approximately 90 times assuming an average lift duration of 30 seconds. Unlike some other battery systems, IBS does not need to be fully discharged before recharging. We recommend that you should recharge the batteries when the red control light (next to the big red knob – see para 3.1) comes on.

#### 5) Battery charger

The wall mounted battery charger should not be installed in a damp area or near a water supply.

We recommend that you have a spare set of batteries charged at all times.

To charge the battery, plug it into the charger. The charging light on the charger will come on. The battery is fully charged when the charging light goes off. The charger shuts off automatically when the batteries are fully charged. You cannot overcharge the batteries.



#### 6) Warranty

All mechanical and electrical components of the RAISA have a two year warranty from the date of the original purchase and delivery, providing such defect is the result of poor craftsmanship or inherent defect in component material and not the result of improper use or handling.

**7) Servicing the RAISA**

We recommend that the RAISA be serviced every six months by your authorized Horcher supplier.

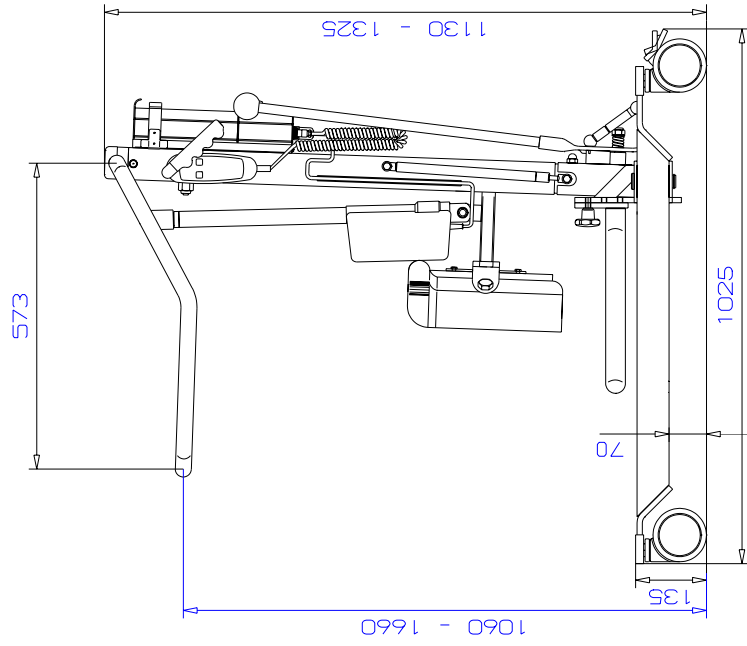
## Servicing history

Date	Comments	Service Engineer	Signature

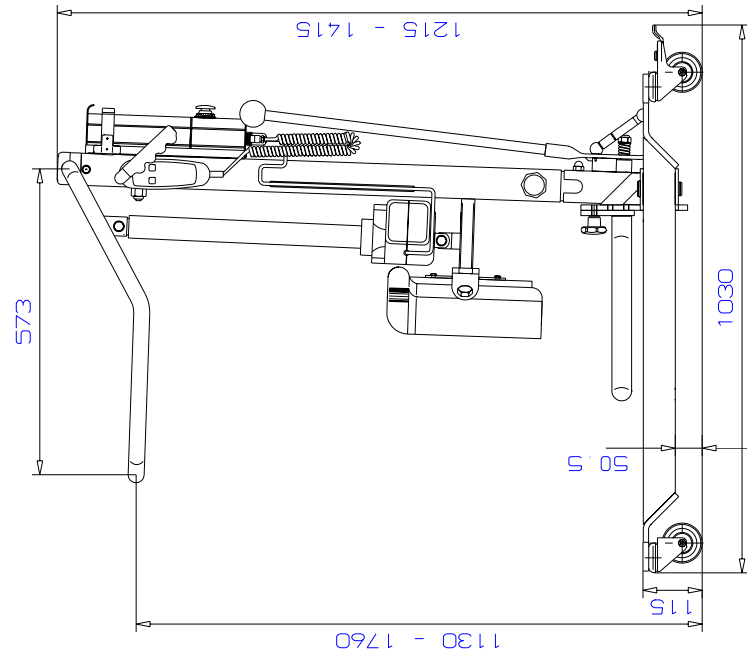
## 8) Technical Information

Base length incl. wheels	1030 mm
Base width (closed) incl. wheels	680 mm
Base width (fully spread) incl. wheels	980 mm
Minimum turning radius	550 mm
Weight of hoist	55 kg
Maximum carrying capacity	160 kg
Battery capacity	24V / 2.7 Ah
Battery charger	220V / 24V / 1A
Battery fuse	5A

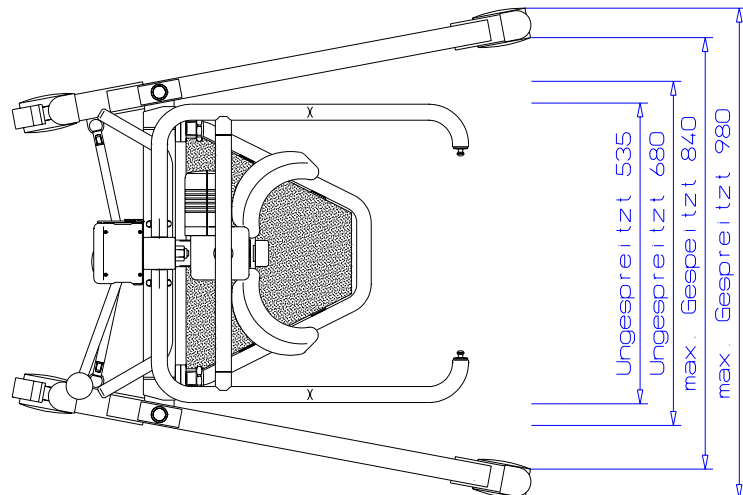
RAISA



RAISA Standard



RAISA  
von oben



text to be changed into english

**Horcher GmbH**  
**Philipp-Reis-Strasse 3**  
**61130 Nidderau**  
**Germany**

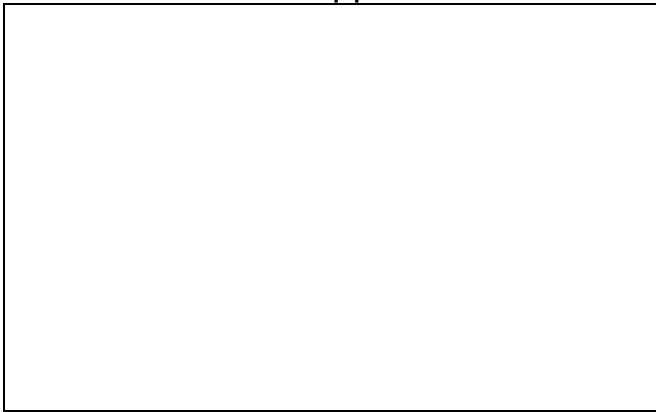
**Tel:** +49 (0) 6187 92040

**Fax:** +49 (0) 6187 920415

**E mail:** [office@horcher.com](mailto:office@horcher.com)

[www.horcher.com](http://www.horcher.com)

Your authorized supplier is



Horcher GmbH has a policy of continuous product development and reserves the right to change specification without notice.

